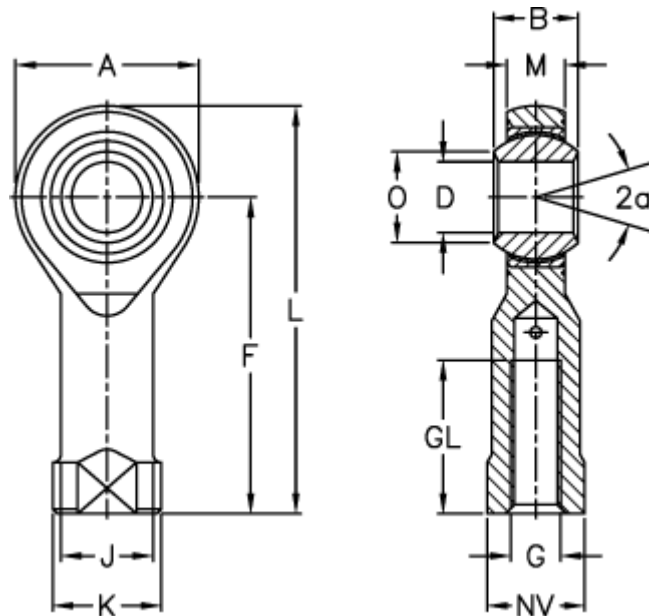


Article number: 54301514

Description: LDK Rod end PHS 14EC

Measures



A	= 34	J	= 20.0
a (degrees)	= 16	K	= 25
B	= 19	L	= 74
D	= 14	M	= 13.50
Dynamic load C (kN)	= 16.9	NV	= 22
F	= 57	O	= 16.8
g	= M14	Static load C0 (kN)	= 32.4
GL	= 27	Weight (g)	= 160